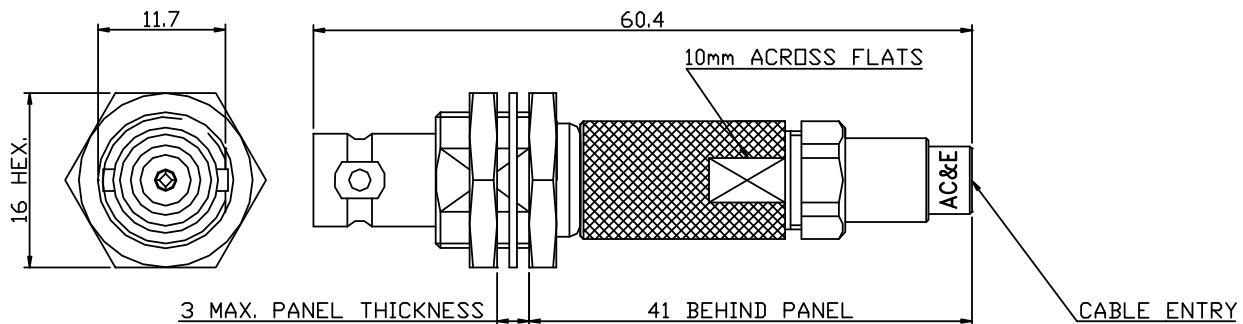


BALUN MINI BNC (F) 75/120Ω, 34-155 Mbit/s BULKHEAD MOUNT

B08 019 060

B08 019 065



ELECTRICAL

Matching Impedance: 75 ohm unbalanced coaxial to 120 ohm balanced twisted pair.
 Bit Rates: 34Mbit/s - 155Mbit/s as ITU-T Recommendation G.703 Line Code.
 Return Loss: 34Mbit/s - 155Mbit/s as per G.703 requirements.
 Insertion Loss: <1.0dB for 34Mbit/s service (860kHz ~ 51.55MHz)
 <1.5dB for 155Mbit/s service (8 ~ 240 MHz)
 Cross Talk: >75dB for 34Mbit/s - 155Mbit/s service
 Pulse Shape: 34Mbit/s - 155Mbit/s as per G.703
 Isolation Voltage: 250V DC between input and output
 Signal Levels: 1V nominal peak voltage for 34Mbit/s,
 1V peak to peak voltage for 155Mbit/s at the coaxial end as per G.703
 EMC: EN50082-2 (CISPR 22) Class B for radiated emissions with STP cable

MATERIALS

Coax Connector Outer Contact: Brass. Finish Cu/Ni/Au
 Coax Connector Body: Brass. Finish Cu/Ni
 Coax Connector Insulator: PTFE
 Coax Connector Inner Contact: CuBe. Finish Cu/Ni/Au
 Balun Body & Rear Tube: Brass Alloy AS 1567 Type 385. Finish Cu/Ni5b
 Grounding Rings: Brass Alloy AS 1567 Type 385. Finish Cu/Ni/Sn
 IDC Contacts: CuSn6. Finish Sn5 -(φ0.32~φ0.40 conductors)
 Sn5/Au -(φ0.50~φ0.65 conductors)
 IDC Moulding & Stuffer Cap: Liquid Crystal Polymer

COAXIAL CONNECTOR (75 ohm)

BNC Series: To IEC 169-8.

TWISTED PAIR CABLE DETAILS

Part Number	Cable Wire Size	Cable Entry Diameter
B08 003 060	0.5mm (AWG 24) to 0.65mm (AWG 22) conductor diameter, STP or UTP Insulation diameter from 0.7mm to 1.5mm.	4.9mm Min.
B08 003 065	0.32mm to 0.4mm (AWG 26) conductor diameter, STP or UTP insulation diameter from 0.7mm to 1.5mm	2.6mm Min.

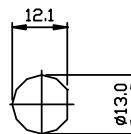
Mating Cycles: 20

ENVIRONMENTAL

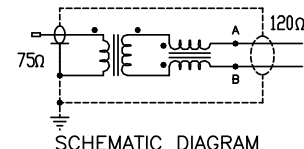
Working Temperature: - 30 °C to 75 °C

TERMINATION

IDC Termination: Spanners 10mm A/F 2 off



PANEL MOUNTING DIMENSIONS
SCALE 1:1



SCHEMATIC DIAGRAM