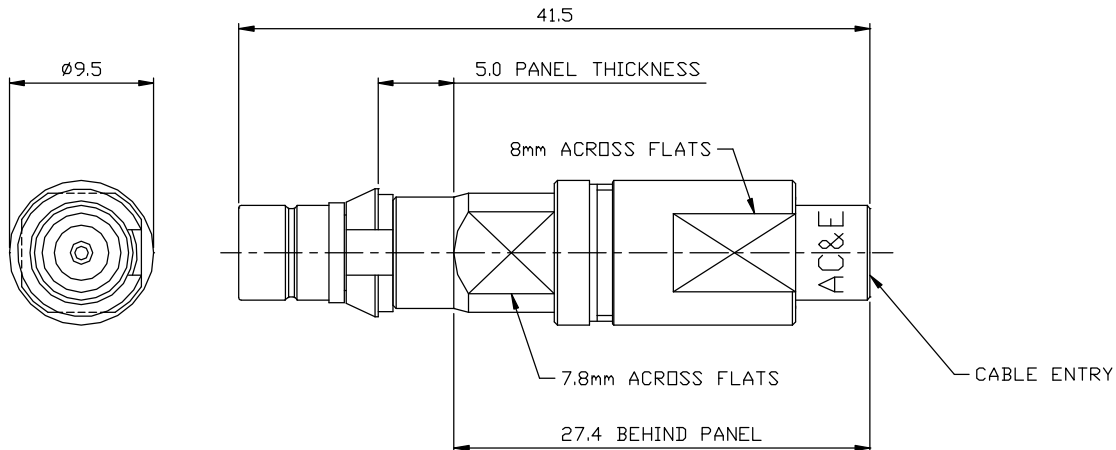


**BALUN HDC MINI TYPE 43 (M)**  
**75-120 W, 2-8-34 Mbit/s**  
**Floating Mount**

**B04 052 070 \***  
**B04 052 075 \***



**ELECTRICAL**

Matching Impedance: 75 ohm unbalanced coaxial to 120 ohm balanced twisted pair  
 Bit Rates: 2Mbit/s, 8Mbit/s and 34Mbit/s as ITU-T Recommendation G.703 Line Code  
 Return Loss: 2Mbit/s, 8Mbit/s and 34Mbit/s as per G.703 requirements  
 Insertion Loss: <0.9dB from 51kHz to 51.55MHz  
 Cross Talk: >60dB from 51kHz to 51.55MHz between 2 baluns mounted 15mm apart  
 Pulse Shape: 2Mbit/s, 8Mbit/s and 34Mbit/s as per G.703  
 Signal Levels: 2.37V nominal peak voltage for 2Mbit/s and 8Mbit/s at the coaxial end  
 1V nominal peak voltage for 34Mbit/s at the coaxial end as per G.703  
 Isolation Voltage: 250VDC for 1 minute between windings  
 Pulse Test: 3kV as per ITU-T, K.17  
 EMC: CISPR 22 Class B for radiated emissions, also AS/NZS 3548 1995

**MATERIALS**

Coax Connector Outer Contact: Brass Finish Cu/Ni/Au  
 Coax Connector Body: Brass Finish Cu/Ni  
 Coax Connector Insulator: PTFE  
 Coax Connector Inner Contact: Brass Finish Cu/Ni/Au  
 Panel Insulator: Polyethylene  
 Balun Body & Rear Tube: Brass Alloy AS 1567 Type 385. Finish Cu/Ni5b  
 Grounding Ring: Brass Alloy AS 1567 Type 385. Finish Cu/Ni/Sn  
 IDC Contacts: CuSn6. Finish Sn5  $-(\phi 0.25 \sim \phi 0.40 \text{ conductors})$   
 Sn5/Au  $-(\phi 0.50 \sim \phi 0.65 \text{ conductors})$   
 IDC Moulding & Stuffer Cap: Liquid Crystal Polymer

**COAXIAL CONNECTOR (75 ohm)**

Type 43 Series: To BS 9210 F0022.

**TWISTED PAIR CABLE DETAILS**

Part Number	Cable Wire Size	Cable Entry Diameter
B04 052 070 *	0.5mm (AWG 24) to 0.65mm (AWG 22) conductor diameter, STP or UTP Insulation diameter from 0.7mm to 1.5mm.	4.9mm Min. **
B04 052 075 *	0.25mm (AWG 30) to 0.4mm (AWG 26) conductor diameter, STP or UTP Insulation diameter from 0.7mm to 1.5mm	2.6mm Min. **

\* The correct selection of the balun to match the cable conductor size is imperative to the reliability of the product. \*\* Custom cable size available upon request.

Mating Cycles: 20

**ENVIRONMENTAL**

Working Temperature: -10 °C to +75 °C

**TERMINATION**

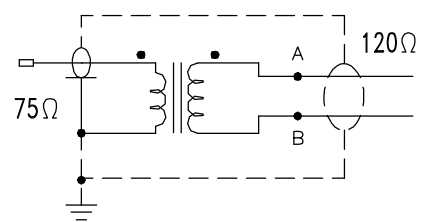
IDC Termination: Spanners, 8mm A/F, 2 off

**MTBF**

15 years

DATA SHEET ISSUE 4  
 Specification subject to change without notice.

Phone: +61 2 9877 5555 Fax: +61 2 9877 5500  
 5-11 Mellor Street, West Ryde NSW 2114, Australia  
 E-mail: connect@acande.com



SCHEMATIC DIAGRAM