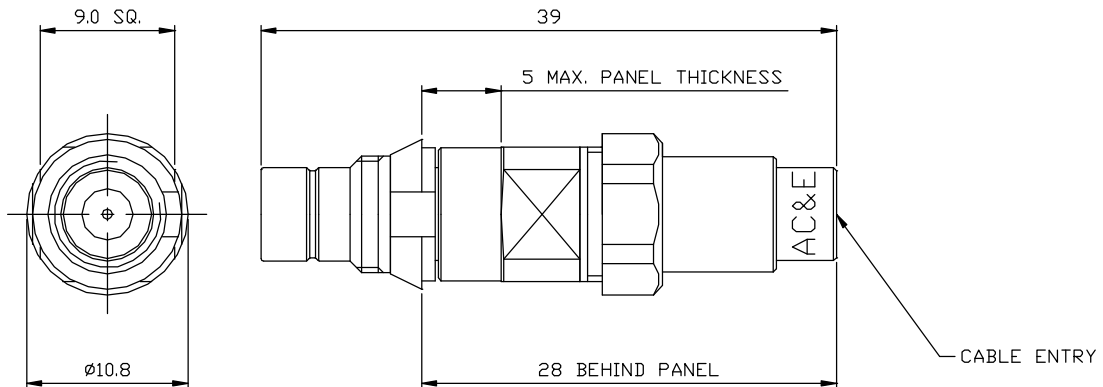


BALUN MINI TYPE (M)
75-120 W, 2-8-34 Mbit/s
Floating Mount

B13 049 060
B13 049 065



ELECTRICAL

- Matching Impedance: 75 ohm unbalanced coaxial to 120 ohm balanced twisted pair.
- Bit Rates: 2Mbit/s and 8Mbit/s as ITU-T Recommendation G.703 Line Code.
- Return Loss: 2Mbit/s exceeds G.703 requirements (>25dB @ 51 ~ 3072kHz)
8Mbit/s as per G.703 requirements.
- Insertion Loss: <0.16dB for 2 Mbit/s service (51 ~ 3072kHz)
<0.3dB for 8Mbit/s service (211kHz ~ 12.672MHz)
- Cross Talk: >80dB from 51kHz to 12.672MHz between 2 baluns mounted 20mm apart.
- Pulse Shape: 2Mbit/s and 8Mbit/s as per G.703
- Isolation Voltage: 250V DC for 1 minute between windings.
- Signal Levels: 2.37V nominal peak voltage for 2Mbit/s and 8Mbit/s at the coaxial end as per G.703

MATERIALS

- Coax Connector Outer Contact: Brass Finish Cu/Ni/Au
- Coax Connector Body: Brass Finish Cu/Ni
- Coax Connector Insulator: PTFE
- Coax Connector Inner Contact: Brass Finish Cu/Ni/Au
- Panel Insulator: Polyethylene
- Balun Body & Rear Tube: Brass Alloy AS 1567 Type 385. Finish Cu/Ni5b
- Grounding Ring: Brass Alloy AS 1567 Type 385. Finish Cu/Ni/Sn
- IDC Contacts: CuSn6. Finish Sn5 $-(\phi 0.25 \sim \phi 0.40 \text{ conductors})$
Sn5/Au $-(\phi 0.50 \sim \phi 0.65 \text{ conductors})$
- IDC Moulding & Stuffer Cap: Liquid Crystal Polymer

COAXIAL CONNECTOR (75 ohm)

Type 43 Series: To BS 9210 F0022.

TWISTED PAIR CABLE DETAILS

Part Number	Cable Wire Size	Cable Entry Diameter
B04 049 060 *	0.5mm (AWG 24) to 0.65mm (AWG 22) conductor diameter, STP or UTP Insulation diameter from 0.7mm to 1.5mm.	4.9mm Min. **
B04 049 065 *	0.25mm (AWG 30) to 0.4mm (AWG 26) conductor diameter, STP or UTP Insulation diameter from 0.7mm to 1.5mm	2.6mm Min. **

* The correct selection of the balun to match the cable conductor size is imperative to the reliability of the product. ** Custom cable size available upon request.

Mating Cycles: 20

ENVIRONMENTAL

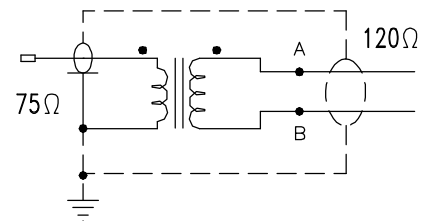
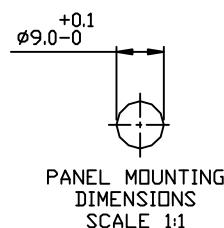
Working Temperature: -30 °C to 75 °C

TERMINATION

IDC Termination: Spanners, 9&10mm A/F

MTDF:

15 yrs



SCHEMATIC DIAGRAM