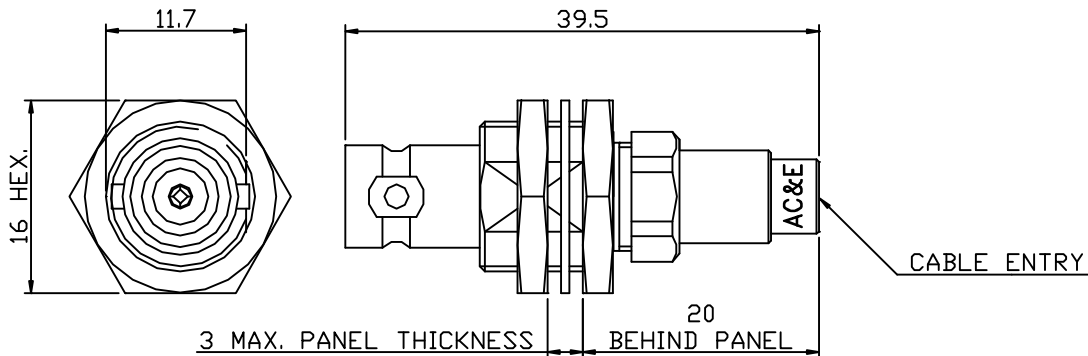


BALUN MINI BNC (F) 75-120 W, 2-8-34 Mbit/s BULKHEAD MOUNT

B04 019 060 *

B04 019 065 *



ELECTRICAL

- Matching Impedance: 75 ohm unbalanced coaxial to 120 ohm balanced twisted pair
- Bit Rates: 2Mbit/s, 8Mbit/s and 34Mbit/s as ITU-T Recommendation G.703 Line Code
- Return Loss: 2Mbit/s, 8Mbit/s and 34Mbit/s as per G.703 requirements
- Insertion Loss: <0.9dB from 51kHz to 51.55MHz
- Cross Talk: >60dB from 51kHz to 51.55MHz between 2 baluns mounted 15mm apart
- Pulse Shape: 2Mbit/s, 8Mbit/s and 34Mbit/s as per G.703
- Signal Levels: 2.37V nominal peak voltage for 2Mbit/s and 8Mbit/s at the coaxial end
1V nominal peak voltage for 34Mbit/s at the coaxial end as per G.703
- Isolation Voltage: 250VDC for 1 minute between windings
- Pulse Test: 3kV as per ITU-T, K.17
- EMC: CISPR 22 Class B for radiated emissions

MATERIALS

- Coax Connector Outer Contact: Brass. Finish Cu/Ni/Au
- Coax Connector Body: Brass. Finish Cu/Ni
- Coax Connector Insulator: PTFE
- Coax Connector Inner Contact: CuBe. Finish Cu/Ni/Au
- Balun Body & Rear Tube: Brass Alloy AS 1567 Type 385. Finish Cu/Ni5b
- Grounding Rings: Brass Alloy AS 1567 Type 385. Finish Cu/Ni/Sn
- IDC Contacts: CuSn6. Finish Sn5 $-(\phi 0.25 \sim \phi 0.40 \text{ conductors})$
Sn5/Au $-(\phi 0.50 \sim \phi 0.65 \text{ conductors})$
- IDC Moulding & Stuffer Cap: Liquid Crystal Polymer

COAXIAL CONNECTOR (75 ohm)

BNC Series: To IEC 169-8.

TWISTED PAIR CABLE DETAILS

Part Number	Cable Wire Size	Cable Entry Diameter
B04 019 060 *	0.5mm (AWG 24) to 0.65mm (AWG 22) conductor diameter, STP or UTP Insulation diameter from 0.7mm to 1.5mm.	4.9mm Min. **
B04 019 065 *	0.25mm (AWG 30) to 0.4mm (AWG 26) conductor diameter, STP or UTP Insulation diameter from 0.7mm to 1.5mm	2.6mm Min. **

* The correct selection of the balun to match the cable conductor size is imperative to the reliability of the product. ** Custom cable size available upon request.

MATING CYCLES: 20

ENVIRONMENTAL

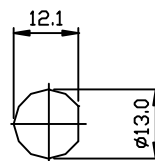
Working Temperature: -10 °C to 75 °C

TERMINATION

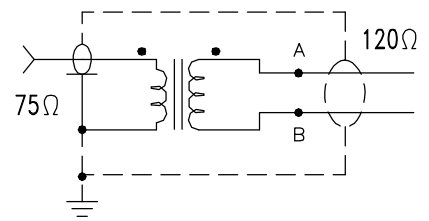
IDC Termination: Spanners 10mm A/F 2 off

MTBF

15 yrs



PANEL MOUNTING DIMENSIONS
SCALE 1:1



SCHEMATIC DIAGRAM