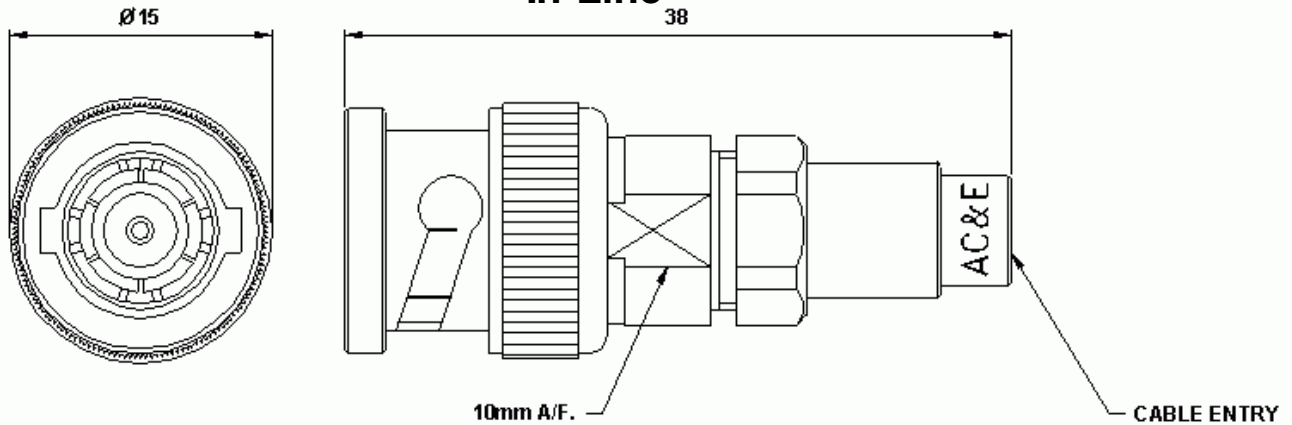


BALUN MINI BNC (M) 75-120 W, 2-8-34 Mbit/s In-Line

B04 008 060 *

B04 008 065 *



ELECTRICAL

| | |
|---------------------|---|
| Matching Impedance: | 75 ohm unbalanced coaxial to 120 ohm balanced twisted pair |
| Bit Rates: | 2Mbit/s, 8Mbit/s and 34Mbit/s as ITU-T Recommendation G.703 Line Code |
| Return Loss: | 2Mbit/s, 8Mbit/s and 34Mbit/s as per G.703 requirements |
| Insertion Loss: | <0.9dB from 51kHz to 51.55MHz |
| Cross Talk: | >60dB from 51kHz to 51.55MHz between 2 baluns mounted 15mm apart |
| Pulse Shape: | 2Mbit/s, 8Mbit/s and 34Mbit/s as per G.703 |
| Signal Levels: | 2.37V nominal peak voltage for 2Mbit/s and 8Mbit/s at the coaxial end 1V nominal peak voltage for 34Mbit/s at the coaxial end as per G.703 |
| Isolation Voltage: | 250VDC for 1 minute between windings |
| Pulse Test: | 3kV as per ITU-T, K.17 |
| EMC: | CISPR 22 Class A for radiated emissions |

MATERIALS

| | |
|-------------------------------|---|
| Coax Connector Outer Contact: | Brass. Finish Cu/Ni |
| Coax Connector Body: | Brass. Finish Cu/Ni |
| Coax Connector Insulator: | PTFE |
| Coax Connector Inner Contact: | Brass. Finish Cu/Ni/Au |
| Balun Body & Rear Tube: | Brass Alloy AS 1567 Type 385. Finish Cu/Ni5b |
| Grounding Ring: | Brass Alloy AS 1567 Type 385. Finish Cu/Ni/Sn |
| IDC Contacts: | CuSn6. Finish Sn5 $-(\phi 0.25 \sim \phi 0.40 \text{ conductors})$ Sn5/Au $-(\phi 0.50 \sim \phi 0.65 \text{ conductors})$ |
| IDC Moulding & Stuffer Cap: | Liquid Crystal Polymer |

COAXIAL CONNECTOR (75 ohm)

BNC Series: To IEC169-8

TWISTED PAIR CABLE DETAILS

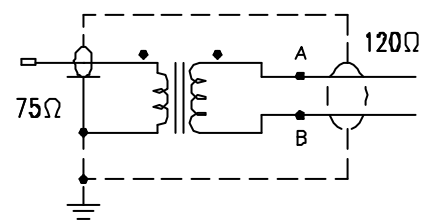
| Part Number | Cable Wire Size | Cable Entry Diameter |
|---------------|---|----------------------|
| B04 008 060 * | 0.5mm (AWG 24) to 0.65mm (AWG 22) conductor diameter, STP or UTP Insulation diameter from 0.7mm to 1.5mm. | 4.9mm Min. ** |
| B04 008 065 * | 0.25mm (AWG 30) to 0.4mm (AWG 26) conductor diameter, STP or UTP Insulation diameter from 0.7mm to 1.5mm | 2.6mm Min. ** |

* The correct selection of the balun to match the cable conductor size is imperative to the reliability of the product. ** Custom cable size available upon request.

Mating Cycles: 20

ENVIRONMENTAL

Working Temperature: -10 °C to 75 °C



SCHEMATIC DIAGRAM

TERMINATION

IDC Termination: Spanners 10mm A/F, 2 off

MTBF

15 yrs